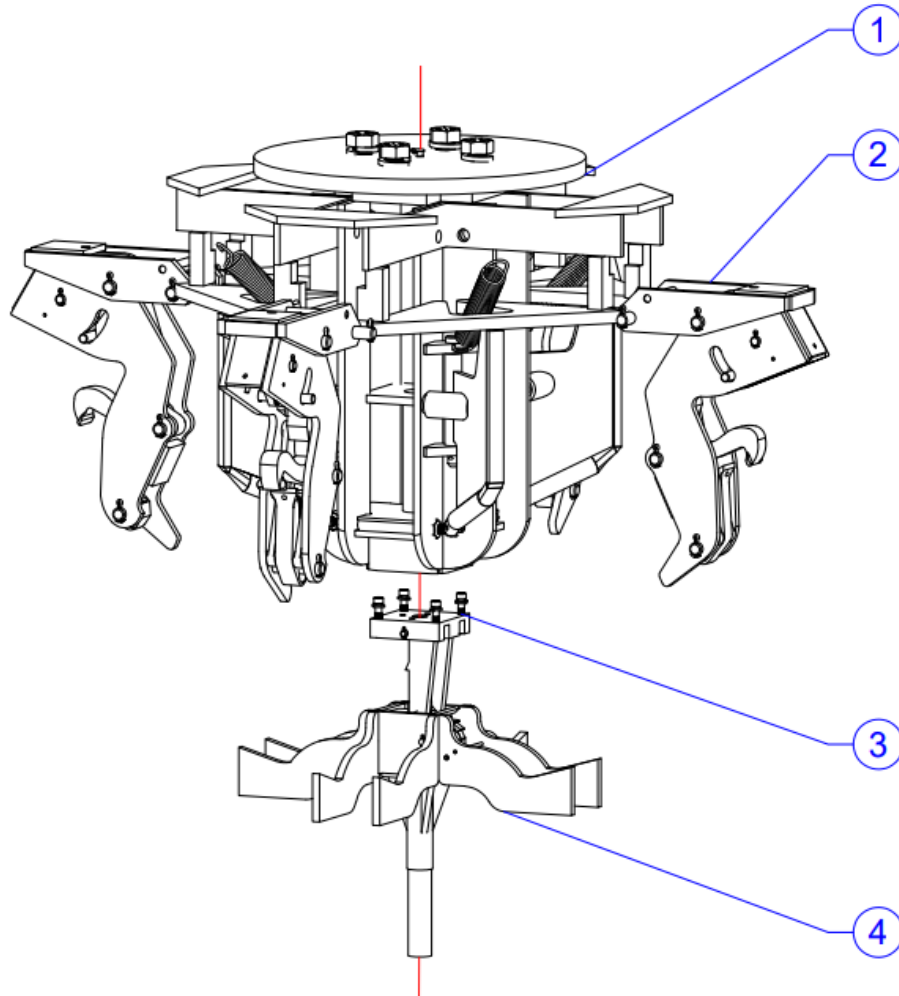


**Liftomatic Material Handling, Inc.**

700 Dartmouth Lane  
Buffalo Grove, IL 60089

Phone 847 325-2930  
Fax 847 325-2959  
Toll Free 800 837-6540



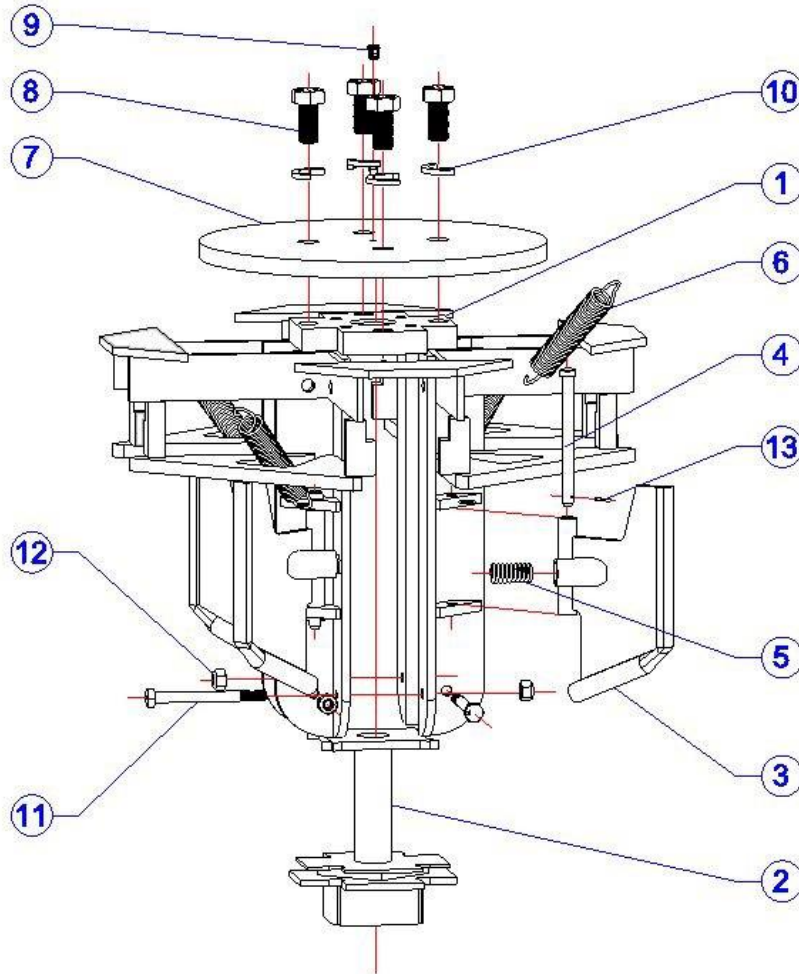
NO.	Part Number	QTY	Descriptions
1	4040-S	1	S4F Short Frame Cone
2	4043	4	Clamp Mechanism
3	4041	1	Hold / Release Assembly
4	2055	1	Index Spider Assembly

**Liftomatic S4F Drum Handling Attachment Schematic**

**Liftomatic Material Handling, Inc.**

700 Dartmouth Lane  
Buffalo Grove, IL 60089

Phone 847 325-2930  
Fax 847 325-2959  
Toll Free 800 837-6540

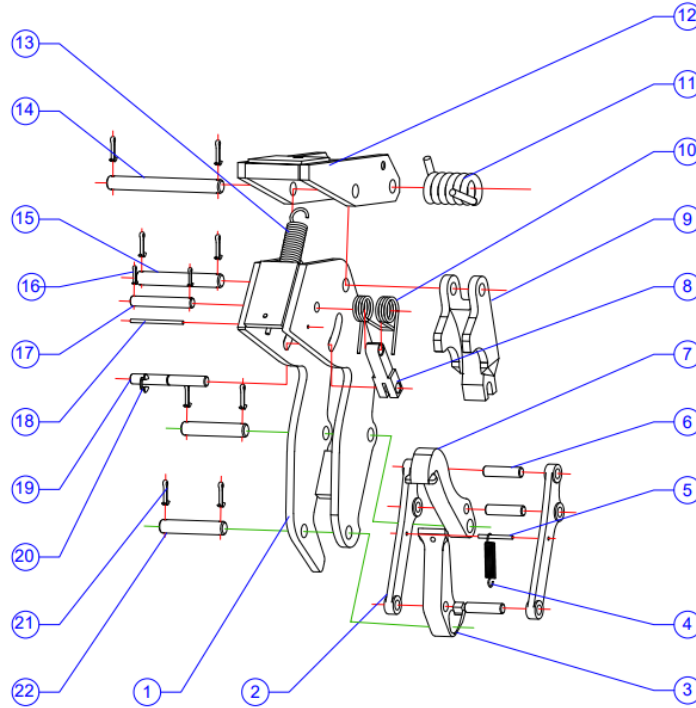


NO.	Part Number	QTY	Descriptions
1	2114	1	Short Frame (S/F)
2	2119	1	Spacer-Block S/F
3	2111	4	Entering Guide S/F
4	2125	4	Pin, Entering Guide Pivot S/F
5	6039	8	Spring, Entering Guide
6	6024	4	Spring, Unit Centering
7	60018-1	1	Plate, Unit to Carrier Mounting
8	6111	4	Hex HD Bolt M20X2.5-40mm
9	6185	1	Oil Hole Cover
10	6066	4	Lock Washer M20
11	6112	4	Hex HD Bolt M10X1.5-110mm
12	6090	4	Lock Nut M10X1.5
13	6070	4	Cotter Pin Ø2.5 X 20mm

**Liftomatic Material Handling, Inc.**

700 Dartmouth Lane  
Buffalo Grove, IL 60089

Phone 847 325-2930  
Fax 847 325-2959  
Toll Free 800 837-6540

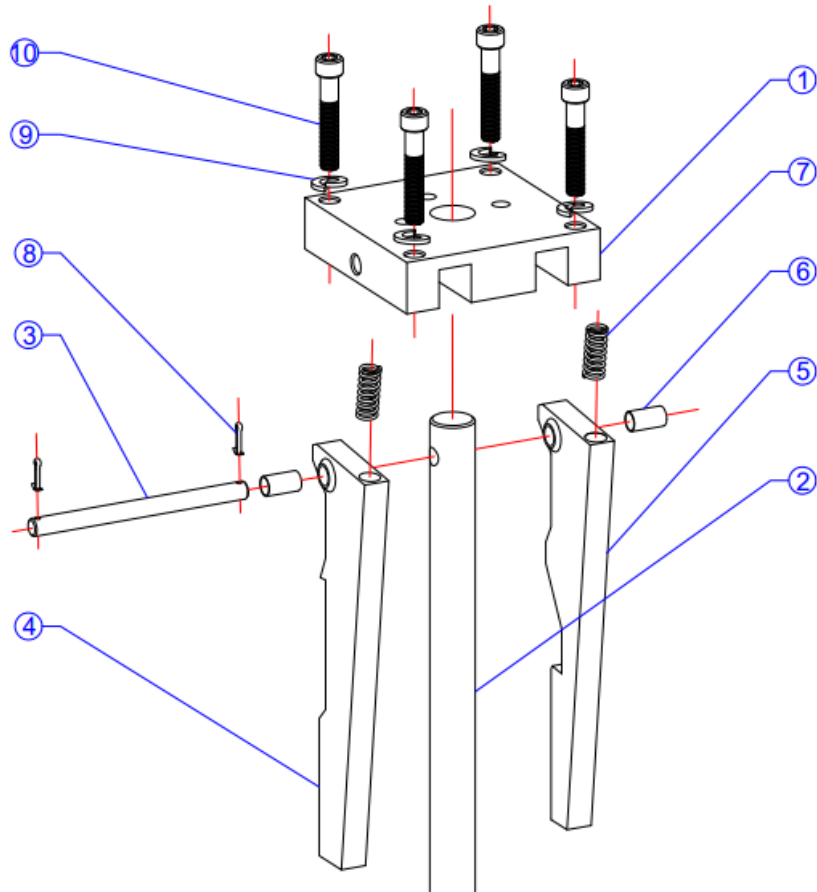


NO.	Part Number	QTY	Descriptions
1	2122	4	Housing, Clamps
2	7018	8	Link, Jaw-to Jaw
3	7012	4	Jaw, Lower
4	6034	4	Spring, Lower Jaw to Link
5	14002	4	Pin, Spring-to-Link
6	14027	12	Pin, Jaw-to-Link
7	7009	4	Jaw, Upper
8	19041-1	4	Link, Index
9	2121	4	Cantilever, Index
10	6041	4	Spring, Index
11	6040	4	Spring, Cantilever to Frame
12	2116	4	Cantilever, Housing to Frame
13	6042	4	Spring, Housing to Cantilever
14	16035-1	4	Pin, Cantilever to Frame
15	16032-1	4	Pin, Housing to Cantilever
16	6003	8	Cotter Pin Ø2.5 X 20mm
17	14038-1	4	Pin, Housing to Index Link
18	6059	4	Roll Pin, Ø3 X 50mm
19	14039-1	4	Pin, Index Link
20	6058	4	E-Ring
21	6009	24	Cotter Pin, Ø3 X 30mm
22	16033-1	8	Pin, Jaws to Housing

**Liftomatic Material Handling, Inc.**

700 Dartmouth Lane  
Buffalo Grove, IL 60089

Phone 847 325-2930  
Fax 847 325-2959  
Toll Free 800 837-6540

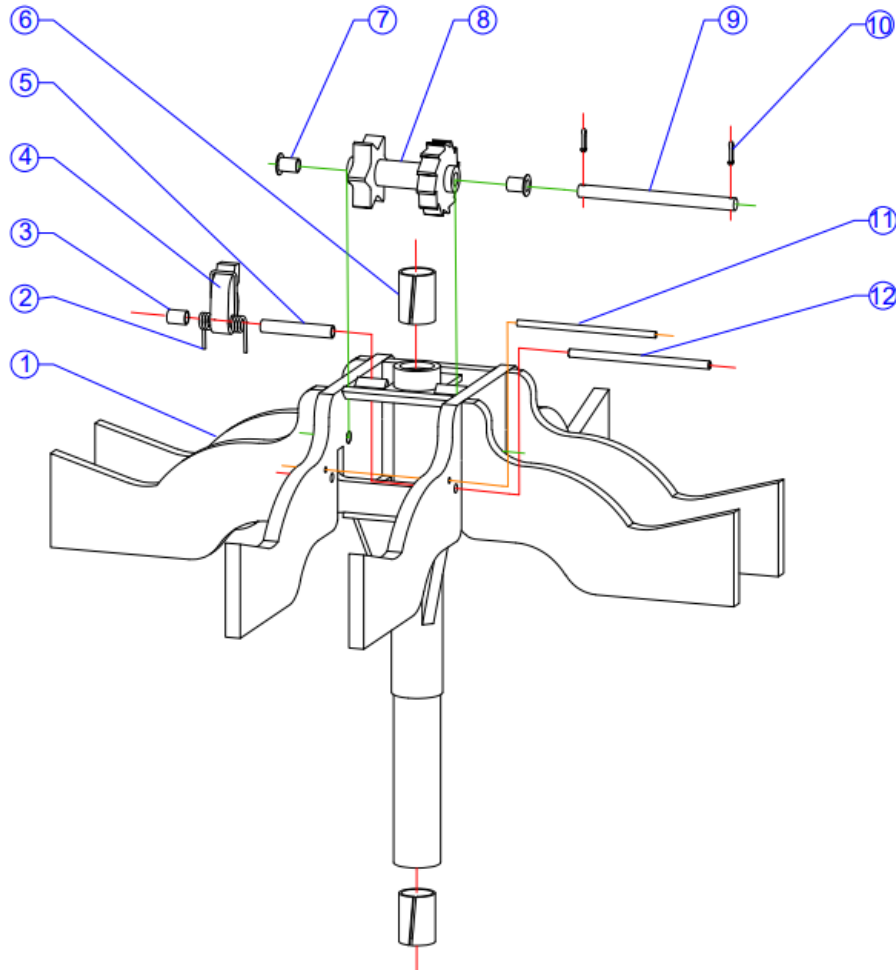


NO.	Part Number	QTY	Descriptions
1	49032-1	1	Holding Block
2	16030-1	1	Guide Shaft, Index Spider
3	14034-1	1	Pin, Holding
4	7014	1	Pawl-Ratchet
5	7013	1	Pawl-Holding
6	6183	2	Bushing, Igus
7	6036	2	Spring, Pawls
8	6010	2	Cotter Pin, Ø2.5 X 20mm
9	6088	4	Lock Washer M6
10	6015	4	Socket HD Screw, M6x1 – 35mm

**Liftomatic Material Handling, Inc.**

700 Dartmouth Lane  
Buffalo Grove, IL 60089

Phone 847 325-2930  
Fax 847 325-2959  
Toll Free 800 837-6540



NO.	Part Number	QTY	Descriptions
1	2120	1	Spider
2	6038	1	Spring, Cam Stop
3	6182	1	Bushing
4	7011	1	Pawl-Cam Stop
5	10038	1	Sleeve Spacer
6	6184	2	Slide Bushing
7	6181	2	Flange Bushing
8	7010	1	Ratchet Cam
9	14034-1	1	Pin, Ratchet Cam
10	6010	2	Cotter Pin, Ø2.5 X 20mm
11	14041	1	Pin, Spring Anchor
12	14035	1	Pin, Cam Stop